

# GN 666.7

Tubular handles



INOX  
Stainless Steel



## technical informations

### Tube

AISI 304 stainless steel, ground matte shiny finish.

### Handle shanks

AISI 304 stainless steel, ground matte shiny finish.

### Mounting stud

AISI 304 stainless steel, with threaded pin DIN 913-M8.

### Grub screw

AISI 304 Stainless Steel DIN 914-M5.

### Tube end caps

- Version K: Plastic (Polyamide A), black matte finish.
- Version E: AISI 304 stainless Steel.

### *Special executions on request (For sufficient quantities)*

Different lengths.

### *Features and applications*

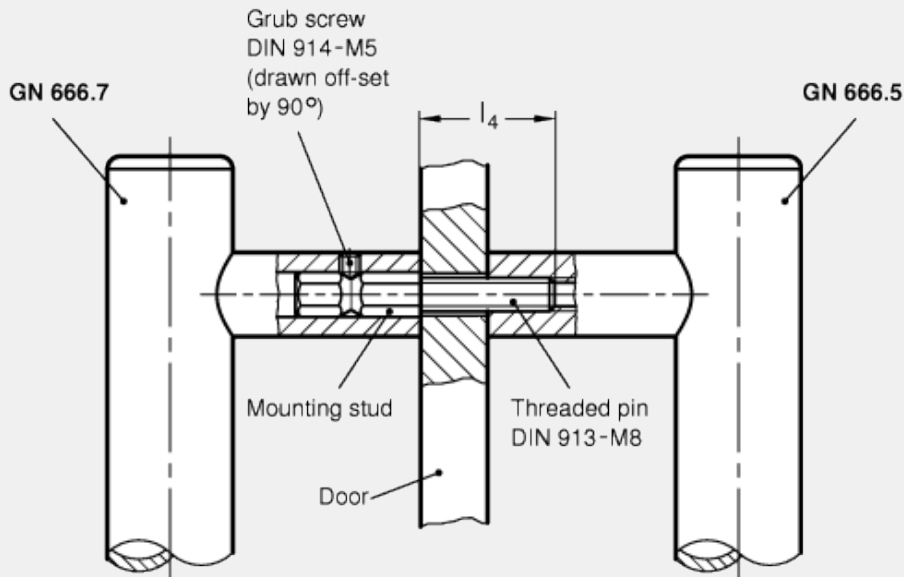
For a mounting of Stainless Steel-Tubular handles GN 666.5 (mounting from the back) the stud is first screwed in from the machine side with the threaded pin DIN 913-M8x25 (included) and then the handle is pushed on and secured with the grub screw DIN 914-M5.

Type E of Stainless Steel-Tubular handles GN 666.5 is completely made of A2-Stainless Steel.

### *Example of application*

Tubular handles GN 666.7 allow the mounting of a pair of handles in opposite position. This method could be used on doors (double handle).

Generally a modification of the thread length  $l_4$  is required for this. The included threaded pin DIN 913-M8x25-A2 of the mounting stud needs to be replaced by a longer threaded pin, too. Handles with a modified thread length  $l_4$  are available on request.



Standard Elements	Main dimensions					Screws			Weight
Description	$d_1$	$l_1 \pm 0.5$	$d_4$	$h$	$l_3$	$d_2$	$l_2 \pm 0.3$	$l_4$	g
GN 666.7-30-M8-200-E	30	200	20	60	265	M8	200	15	480
GN 666.7-30-M8-200-K	30	200	20	60	265	M8	200	15	480
GN 666.7-30-M8-250-E	30	250	20	60	315	M9	250	15	590
GN 666.7-30-M8-250-K	30	250	20	60	315	M8	250	15	590
GN 666.7-30-M8-300-E	30	300	20	60	365	M8	300	15	730
GN 666.7-30-M8-300-K	30	300	20	60	365	M8	300	15	730
GN 666.7-30-M8-400-E	30	400	20	60	465	M8	400	15	800
GN 666.7-30-M8-400-K	30	400	20	60	465	M8	400	15	800
GN 666.7-30-M8-500-E	30	500	20	60	565	M8	500	15	890
GN 666.7-30-M8-500-K	30	500	20	60	565	M8	500	15	890
GN 666.7-30-M8-600-E	30	600	20	60	665	M8	600	15	1000
GN 666.7-30-M8-600-K	30	600	20	60	665	M8	600	15	1000



STANDARD MACHINE ELEMENTS WORLDWIDE